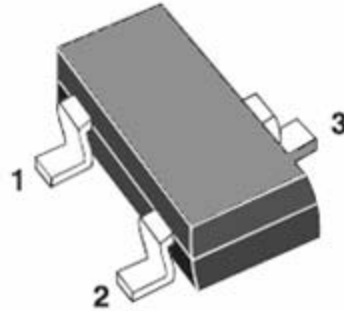


### Features

- ◆ Power dissipation  
 $P_{CM}: 0.3W (T_A = 25^\circ C)$
- ◆ Collector current  
 $I_C: 1.5A$
- ◆ Collector-base voltage  
 $V_{(BR)CBO}: 40V$
- ◆ Operating and storage junction temperature range  
 $T_J, T_{STG}: -55^\circ C \text{ to } +150^\circ C$

SOT-23



### Marking:

Y2

1.BASE 2.EMITTER 3.COLLECTOR

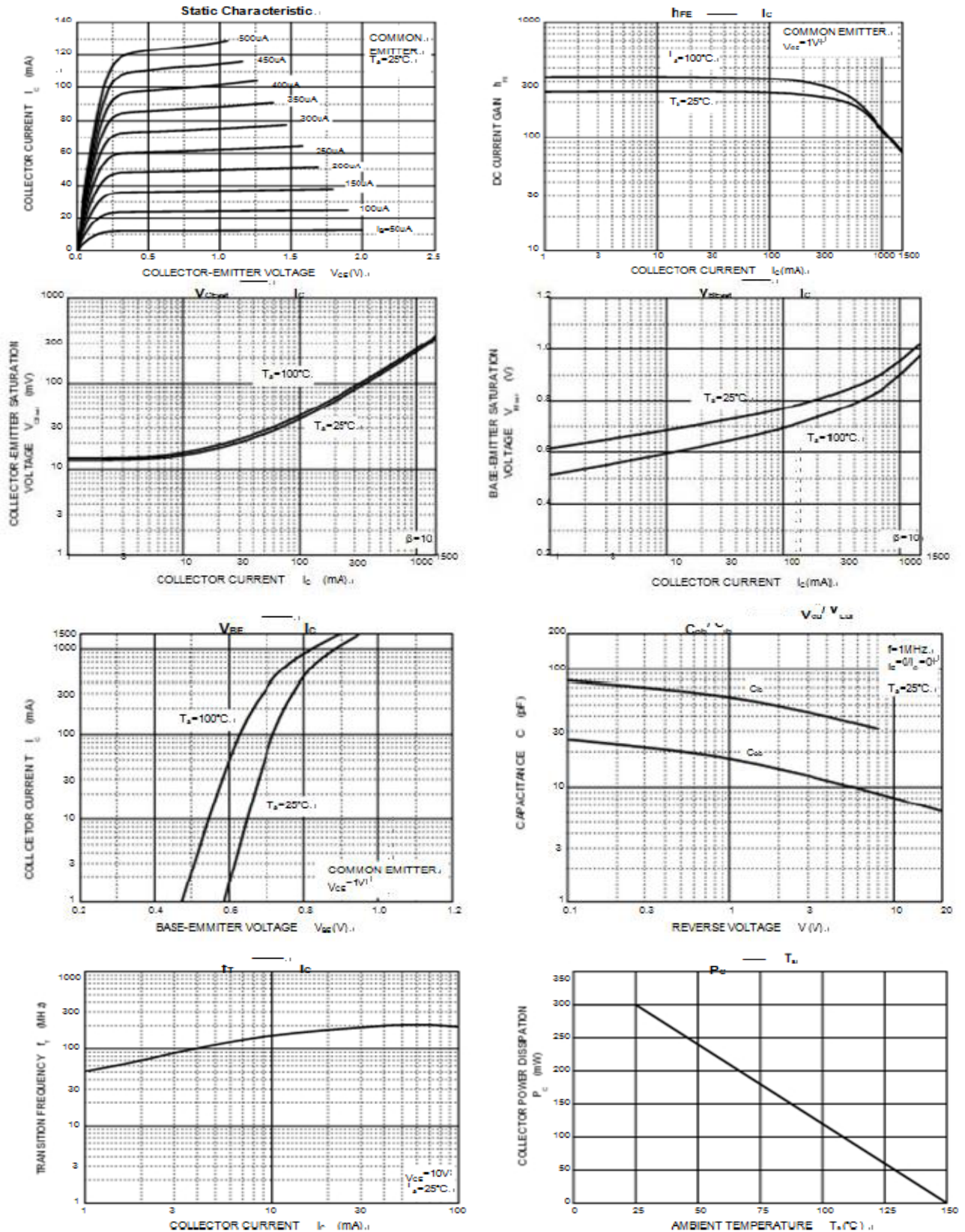
### Electrical Characteristics ( $T_A = 25^\circ C$ unless otherwise specified):

PARAMETER	SYMBOL	TEST CONDITIONS	MIN	TYP	MAX	UNIT
Collector-base breakdown voltage	$V_{(BR)CBO}$	$I_C = 100\mu A, I_E = 0$	40			V
Collector-emitter breakdown voltage	$V_{(BR)CEO}$	$I_C = 0.1mA, I_B = 0$	25			V
Emitter-base breakdown voltage	$V_{(BR)EBO}$	$I_E = 100\mu A, I_C = 0$	5			V
Collector cut-off current	$I_{CBO}$	$V_{CB} = 40V, I_E = 0$			0.1	$\mu A$
Collector cut-off current	$I_{CEO}$	$V_{CB} = 20V, I_E = 0$			0.1	$\mu A$
Emitter cut-off current	$I_{EBO}$	$V_{EB} = 5V, I_C = 0$			0.1	$\mu A$
DC current gain	$h_{FE(1)}$	$V_{CE} = 1V, I_C = 100mA$	120		400	
	$h_{FE(2)}$	$V_{CE} = 1V, I_C = 800mA$	40			
Collector-emitter saturation voltage	$V_{CE(sat)}$	$I_C = 800mA, I_B = 80mA$			0.5	V
Base-emitter saturation voltage	$V_{BE(sat)}$	$I_C = 800mA, I_B = 80mA$			1.2	V
Transition frequency	$f_T$	$V_{CE} = 10V, I_C = 50mA$ $F = 30MHz$	100			MHZ

### Classification of $h_{FE(1)}$

Rank	L	H	J
Range	120~200	200~350	300~400

### Ratings and Characteristic Curves $T_A=25^\circ\text{C}$ unless otherwise noted



## SOT-23 MECHANICAL DATA

